

“Hand“ Probes for Digital Thermometers

with curled cable and mini plug



HERTH

elektrische Temperaturregeber GmbH

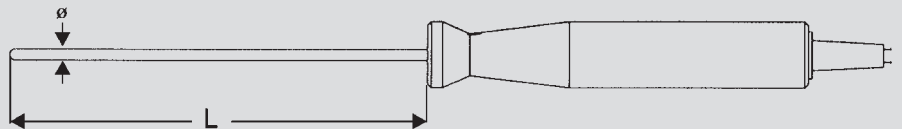
“Hand“ probe type “T“

Art.-No.: 75752521-1-2-3-130

For measuring in gases and fluids.
Protective tube made of Inconel 600,
temperature resistant up to 1200°C.

Probe Ø: 1,5 mm

Length (L): 130 mm



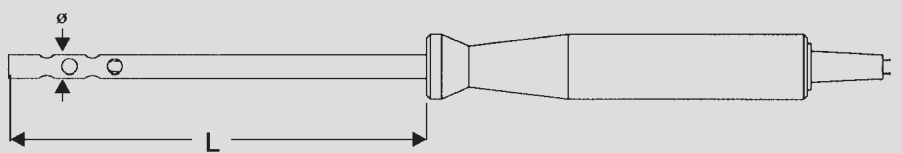
“Hand“ probe type “L“

Art.-No.: 49043029

For measuring of the air temperature in rooms, outdoors
or in ventilation ducts. Protective tube made of stainless
steel, can be used for temperatures of max. 80°C.

Probe Ø: 6 mm

Length (L): 130 mm



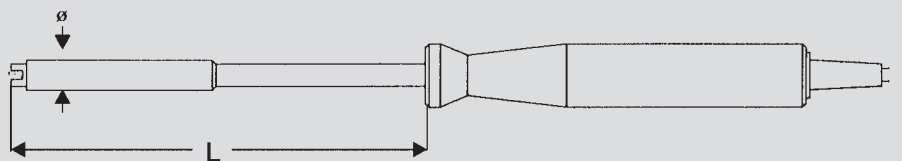
“Hand“ probe type “0-900“

Art.-No.: 49043012

For measuring surface temperatures of max.
900°C; the hot junction is spring loaded. Pro-
tective tube made of stainless steel.

Probe Ø: 8 mm

Length (L): 130 mm



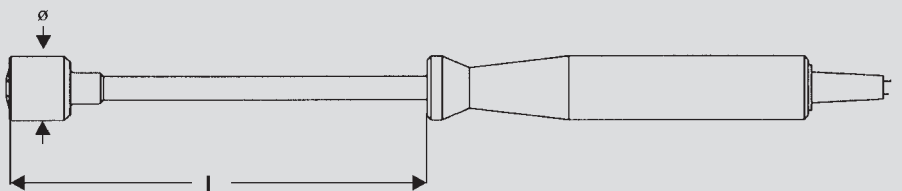
“Hand“ probe type “P“

Art.-No.: 49043010

Precision surface sensor for the measurement
e.g. on painted, corroded or poorly conducting
surfaces. (heating pipes, plastic tubes) up to
280°C.

Probe head Ø: 17 mm

Length (L): 110 mm



“Hand“ probe type “W“

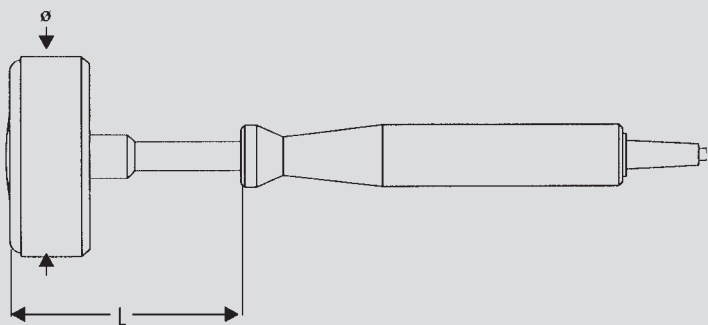
Art.-No.: 49043013

Wall temperature probe mainly for measu-
ring tasks in the building physics and power
engineering sectors; it is excellently suited to
highly accurate measuring work on walls, floors,
glazing and window frames; the very large
thermo tape enables it to be easily attached to
surfaces (including rough plaster). A ring seal
avoids false measurements being made due to
ambient influences.

Especially suitable for checking the temperature
distribution of underfloor heating systems; deter-
mination and checking of the k value; checking of the wall temperature when it is lower than
the dew point (moist walls, mould stains, etc.)

Probe head Ø: 53 mm

Length (L): 65 mm



DB_009_S2v2eng