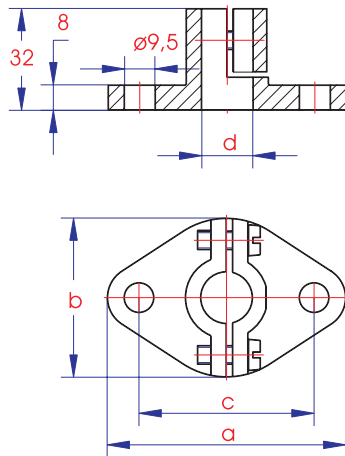
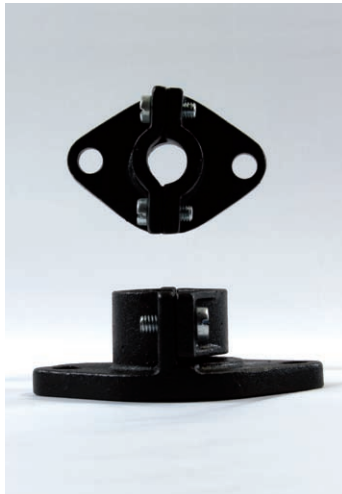


Adjustable Flanges



HERTH

elektrische Temperaturgeber GmbH

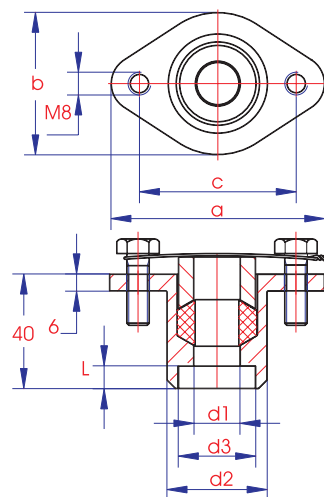


Adjustable flanges acc. to DIN 43734 for mounting thermometers in furnaces and exhaust systems.

Specifications

Body material: GGG-42

D ¹⁾	Code	a	b	c	d
15	60350001	75	50	55	16
22	60350002	90	65	70	23
26-28	60350014	90	65	70	29
32	60350003	90	65	70	33



Weld neck flanges to be welded at furnaces and exhaust systems used in combination with adjustable flanges DIN 43734; gas-tight up to 1 bar (300° C)

Specifications

Body material: 1.0401
Seal: Ceramic fibre

D ¹⁾	Code	a	b	c	d1	d2	d3	L
15	60350004	75	50	55	16	35	28	8
22	60350005	90	65	70	23	40	32,3	12
32	60350006	90	65	70	33	50	42	10
24,5	60350019	90	65	70	25,5	40	32,3	12

1) Protection- or supporting tube diameter

DB_011_S1v1eng